

Instructions

Rear Diff Bushings

N.B: This instruction sheet should be used in conjunction with the workshop manual and proper safety procedures followed.

- Raise vehicle evenly and safely support.

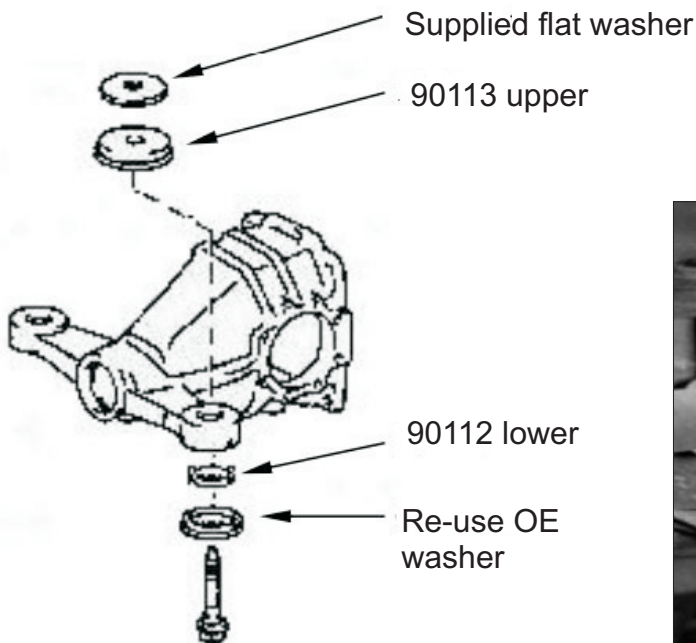
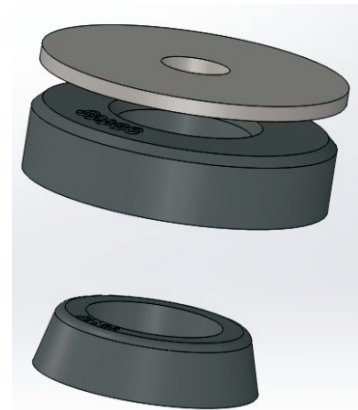
Never rely on a Jack only

- Use a suitable stand or Jack to support Differential.
- Un-bolt the 2 mount bolts and lower front of diff down slowly.
- Remove old rubber bushings and OE thrust washers (keep lower 'stopper' washer)
- Clean Diff bracket of any oil or dirt.
- Place new bushings in Diff bracket - use small amount of grease to help with install - refer diagram below.
- Re-bolt to vehicle with OE lower washer and bolt. Tighten to 70Nm
- Re-check after 100kms travelled.

Application - Toyota Supra 1993-2002
 - Toyota Soarer 1990-2000
 - Lexus - various

Always refer complete catalogue listing

Contents - Bushing 90112 x2
 - Bushing 90113 x2
 - Washer 63.5x14.3x3.2 x2
 - Grease



N.B: It is recommended that a licenced workshop or tradesperson carry out the above procedure and that workshop manual and relevant safety procedures are followed in addition to the above.